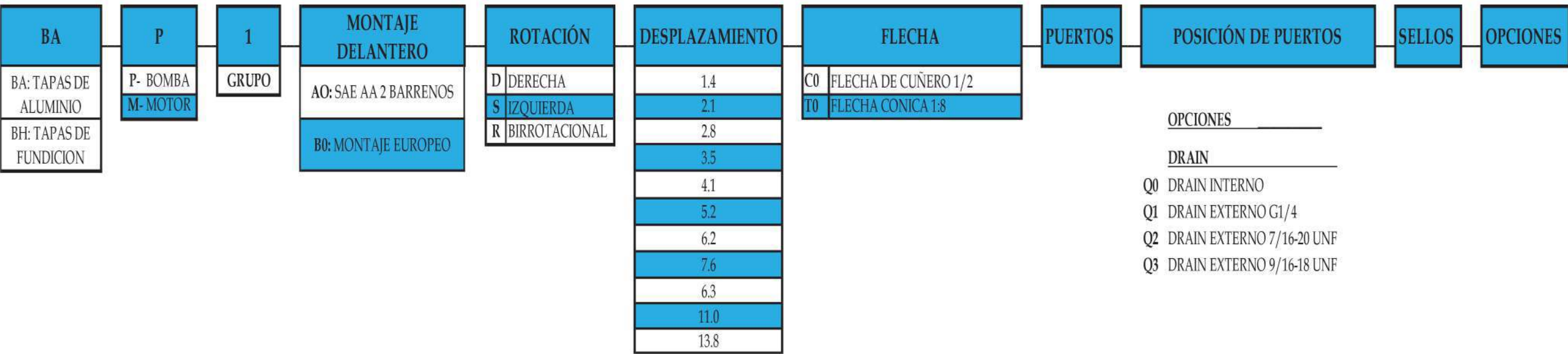
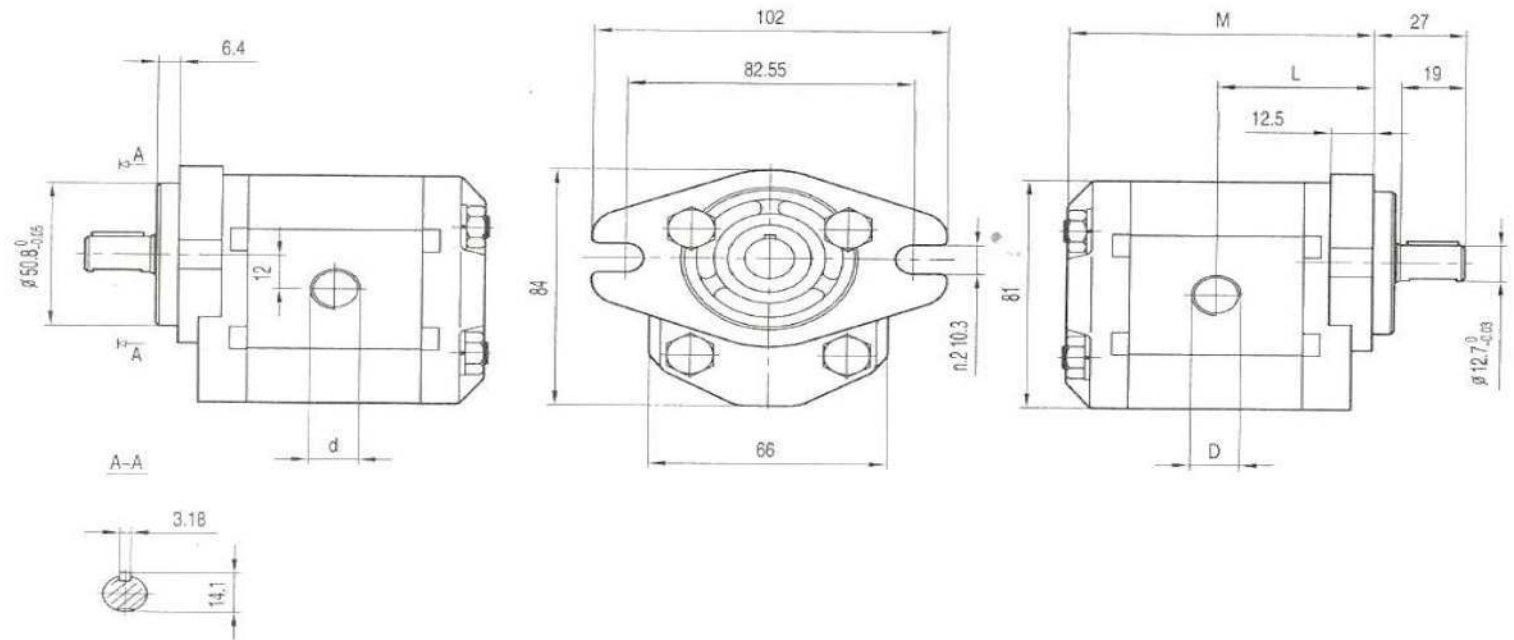
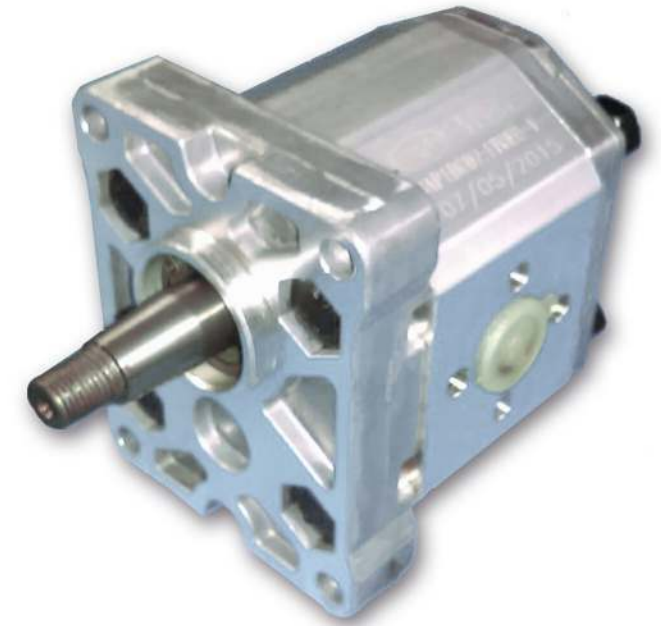
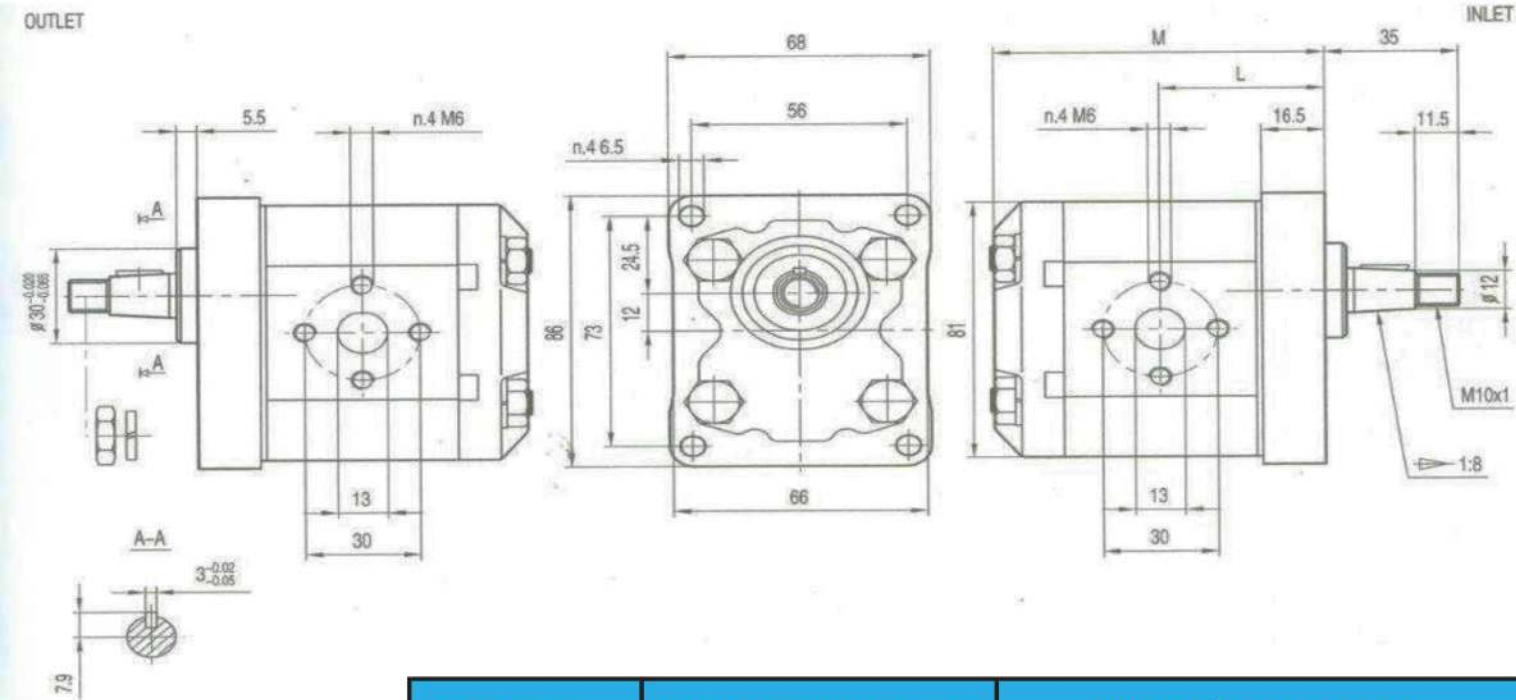


BAP1 [BHM1]


OUTLET



MODELO	DESPLAZAMIENTO	PRESIÓN MAXIMA			RPM MAXIMA	RPM MINIMA	DIMENSIONES			
		p1	p2	p3			M	L	D	d
	in ³ (cc ³ /rev)	bar	bar	bar	(r/min)	(r/min)	mm	mm		
BAP1A0-D1.4	0.0854 (1.4)	250	270	290	6000	800	82.5	42	PT 1/2	PT 3/8
BAP1A0-D2.1	0.1218 (2.1)	250	270	290	6000	800	84.5	43	PT 1/2	PT 3/8
BAP1A0-D2.8	0.1708 (2.8)	250	270	290	5000	800	86.5	44	PT 1/2	PT 3/8
BAP1A0-D3.5	0.2135 (3.5)	250	270	290	5000	800	88.5	45	PT 1/2	PT 3/8
BAP1A0-D4.1	0.2501 (4.1)	250	270	290	4000	800	90.5	46	PT 1/2	PT 3/8
BAP1A0-D5.2	0.3172 (5.2)	230	245	260	4000	800	93.5	47.5	PT 1/2	PT 3/8
BAP1A0-D6.2	0.3782 (6.2)	230	245	260	3800	800	96.5	49	PT 1/2	PT 3/8
BAP1A0-D7.6	0.4636 (7.6)	200	215	230	3200	600	100.5	51	PT 3/4	PT 1/2
BAP1A0-D9.3	0.5673 (9.3)	180	195	210	2600	600	105.5	53.5	PT 3/4	PT 1/2
BAP1A0-D11.0	0.6710 (11.0)	170	185	200	2200	600	110.5	56	PT 3/4	PT 1/2
BAP1A0-D13.8	0.8418 (13.8)	150	165	180	1800	600	118.5	60	PT 3/4	PT 1/2

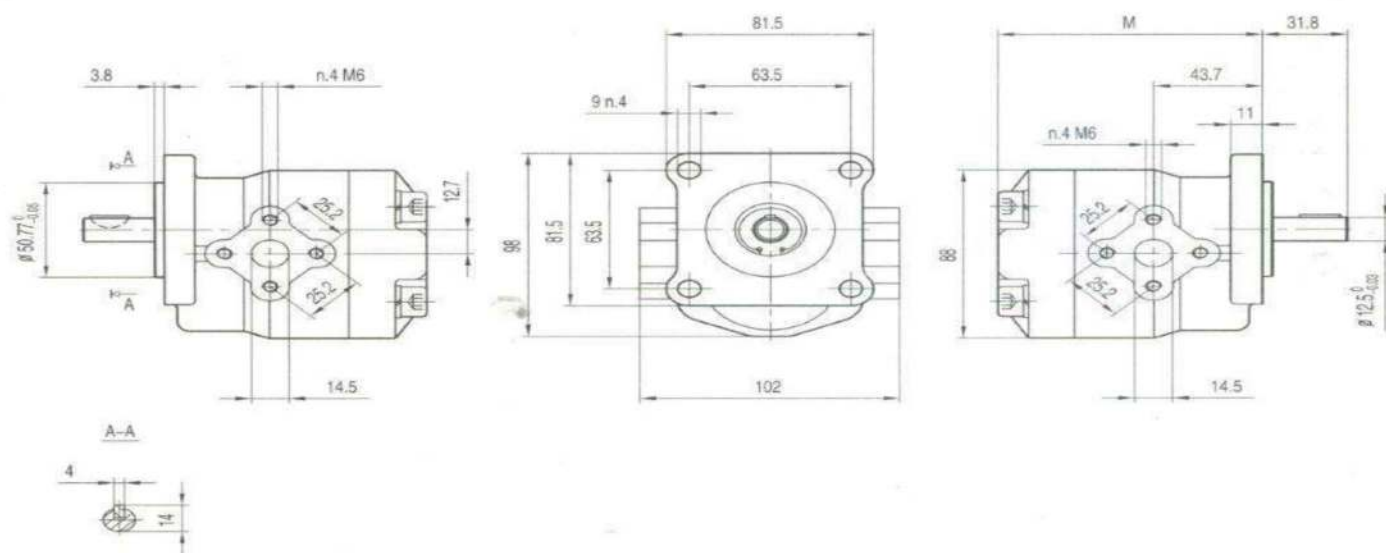


MODELO	DESPLAZAMIENTO	PRESIÓN MAXIMA			RPM MAXIMA	RPM MINIMA	DIMENSIONES	
		p1	p2	p3			M	L
	in ³ (cc ³ /rev)	bar	bar	bar	(r/min)	(r/min)	mm	mm
BAP1B0-D1.4	0.0854 (1.4)	250	270	290	6000	800	80.5	40
BAP1B0-D2.1	0.1218 (2.1)	250	270	290	6000	800	82.5	41
BAP1B0-D2.8	0.1708 (2.8)	250	270	290	5000	800	84.5	42
BAP1B0-D3.5	0.2135 (3.5)	250	270	290	5000	800	86.5	43
BAP1B0-D4.1	0.2501 (4.1)	250	270	290	4000	800	88.5	44
BAP1B0-D5.2	0.3172 (5.2)	230	245	260	4000	800	91.5	45.5
BAP1B0-D6.2	0.3782 (6.2)	230	245	260	3800	800	94.5	47
BAP1B0-D7.6	0.4636 (7.6)	200	215	230	3200	600	98.5	49
BAP1B0-D9.3	0.5673 (9.3)	180	195	210	2600	600	103.5	51.5
BAP1B0-D11.0	0.6710 (11.0)	170	185	200	2200	600	108.5	54
BAP1B0-D13.8	0.8418 (13.8)	150	165	180	1800	600	116.5	58

BAP1.5


OUTLET

INLET

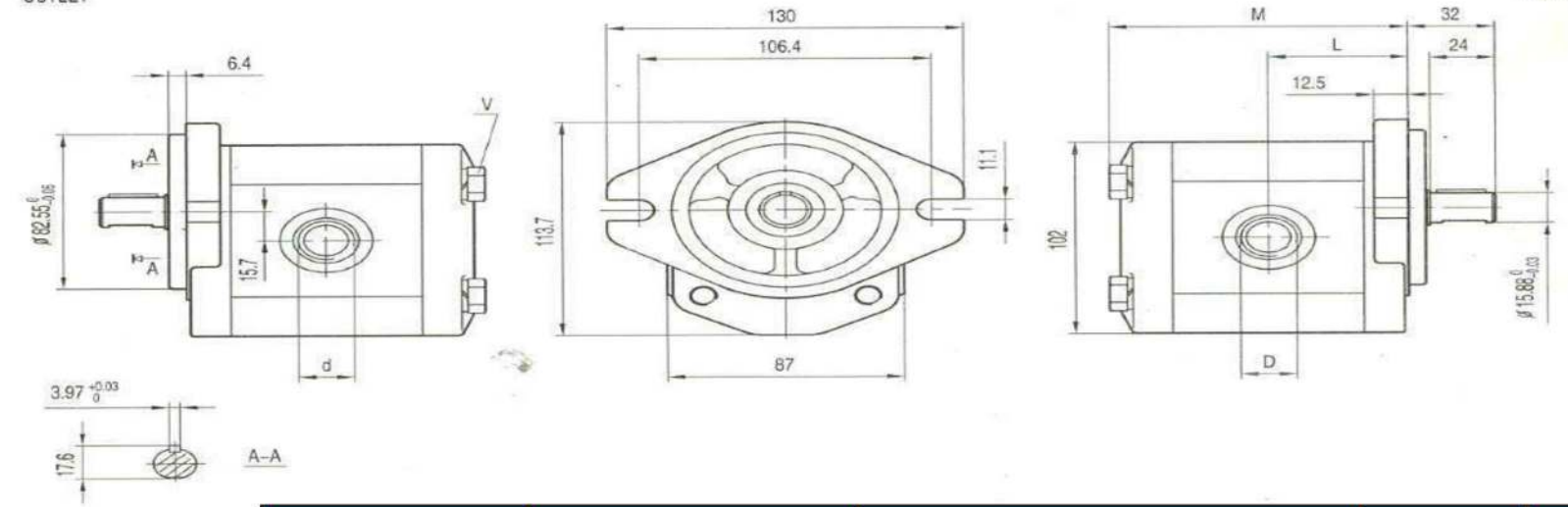


MODELO	DESPLAZAMIENTO	PRESIÓN MAXIMA			RPM MAXIMA	RPM MINIMA	DIMENSIONES
		p1	p2	p3			
		bar	bar	bar	(r/min)	(r/min)	M
	in ³ (cc ³ /rev)	bar	bar	bar	(r/min)	(r/min)	mm
BAP1.5Q0-D-2	0.122 (2)	210	230	250	5000	900	96.7
BAP1.5Q0-D-3	0.183 (3)	210	230	250	5000	850	96.7
BAP1.5Q0-D-4	0.244 (4)	210	230	250	4500	800	96.7
BAP1.5Q0-D-5	0.305 (5)	210	230	250	4000	800	96.7
BAP1.5Q0-D-6	0.366 (6)	210	230	250	3500	700	96.7
BAP1.5Q0-D-8	0.488 (8)	210	230	250	3000	600	99.7
BAP1.5Q0-D-9	0.549 (9)	180	200	220	2500	550	102.7
BAP1.5Q0-D11	0.671 (11)	180	200	220	2000	500	105.7
BAP1.5Q0-D12	0.732 (12)	180	200	220	2000	500	105.7

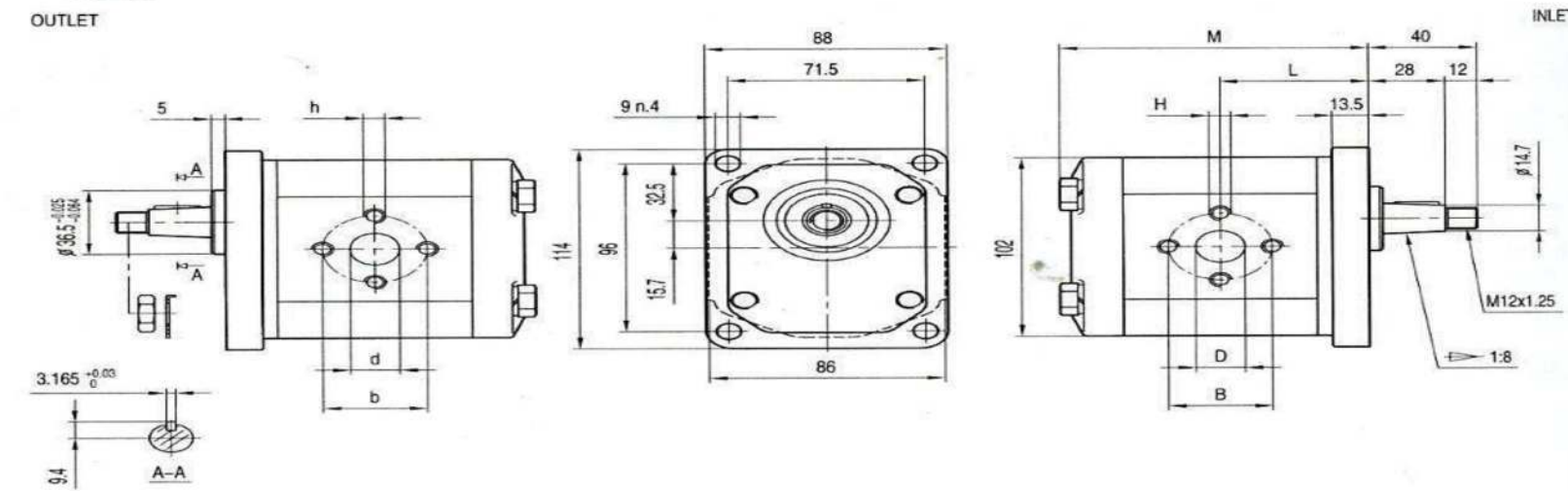
BAP2 [BHP2]


OUTLET

INLET



MODELO	DESPLAZAMIENTO	PRESIÓN MAXIMA			RPM MAXIMA	RPM MINIMA	DIMENSIONES			
		p1	p2	p3			M	L	D	d
	in ³ (cc ³ /rev)	bar	bar	bar	(r/min)	(r/min)	mm	mm	1 1/16-12UNF	7/8-14UNF
BHP2A0-D-3	0.183 (3)	270	285	300	4000	800	91.1	43.6	1 1/16-12UNF	7/8-14UNF
BHP2A0-D-4	0.244 (4)	270	285	300	4000	600	92.7	44.4	1 1/16-12UNF	7/8-14UNF
BHP2A0-D-6	0.366 (6)	270	285	300	4000	600	96	46	1 1/16-12UNF	7/8-14UNF
BHP2A0-D-8	0.488 (8)	270	285	300	3500	500	99.3	47.7	1 1/16-12UNF	7/8-14UNF
BHP2A0-D-10	0.61 (10)	270	285	300	3000	500	102.60	49.3	1 1/16-12UNF	7/8-14UNF
BHP2A0-D-12	0.732 (12)	270	285	300	3000	500	105.9	51	1 1/16-12UNF	7/8-14UNF
BHP2A0-D-14	0.854 (14)	250	265	280	4000	500	109.3	52.7	1 1/16-12UNF	7/8-14UNF
BHP2A0-D-16	0.976 (16)	250	265	280	4000	500	112.7	54.4	1 1/16-12UNF	7/8-14UNF
BHP2A0-D-18	1.098 (18)	250	265	250	3600	400	116	56	1 1/16-12UNF	7/8-14UNF
BHP2A0-D-20	1.22 (20)	220	235	250	3200	400	119.3	57.7	1 1/16-12UNF	7/8-14UNF
BHP2A0-D-22	1.342 (22)	220	235	230	3000	400	122.6	59.3	1 1/16-12UNF	7/8-14UNF
BHP2A0-D-25	1.525 (25)	200	215	230	3000	400	127.6	61.8	1 1/16-12UNF	7/8-14UNF
BHP2A0-D-28	1.708 (28)	180	190	200	2500	400	132.6	64.3	1 1/16-12UNF	7/8-14UNF
BHP2A0-D-30	1.83 (30)	160	170	180	2500	400	135.9	66	1 5/16-12UNF	7/8-14UNF



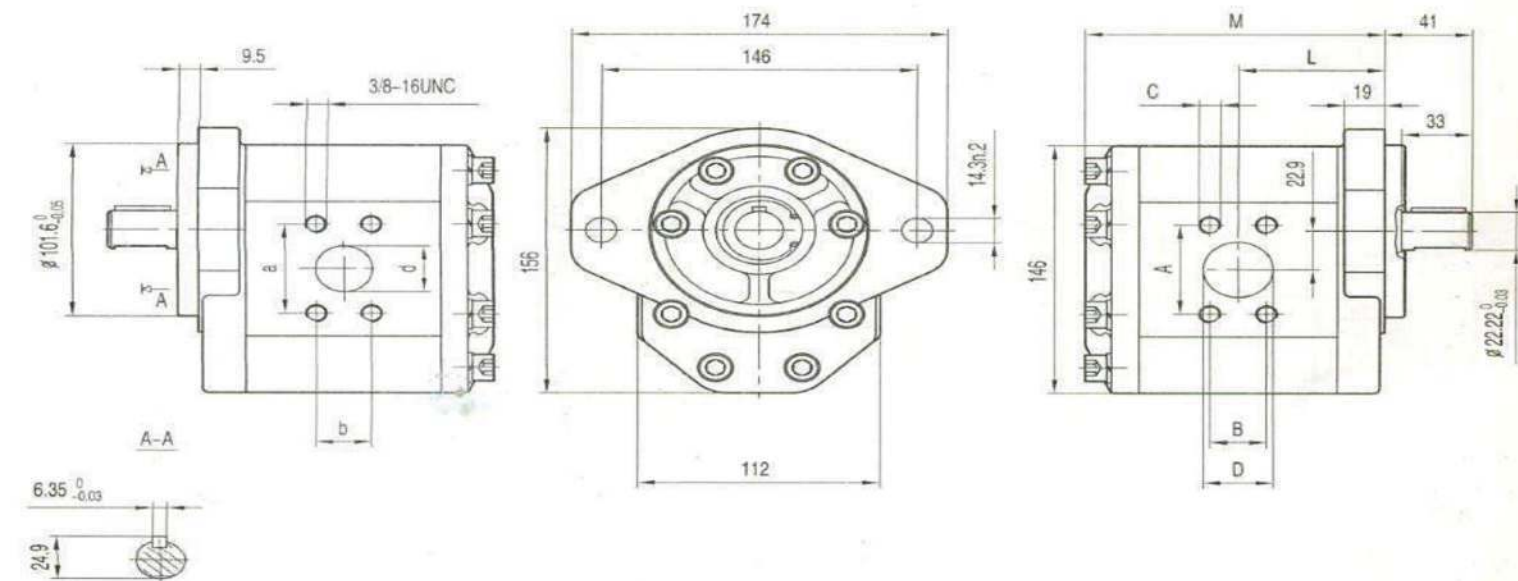
MODELO	DESPLAZAMIENTO	PRESIÓN MAXIMA			RPM MAXIMA	RPM MINIM A	DIMENSIONES							
		p1	p2	p3			M	L	B	D	H	b	d	h
	in ³ (cc ³ /rev)	bar	bar	bar	(r/min)	(r/min)	mm	mm	mm	mm		mm	mm	mm
BHP2B0-D-3	0.183 (3)	270	285	300	4000	800	91.1	43.6	30	13	M6	30	13	M6
BHP2B0-D-4	0.244 (4)	270	285	300	4000	600	92.7	44.4	30	13	M6	30	13	M6
BHP2B0-D-6	0.366 (6)	270	285	300	4000	600	96	46	30	13	M6	30	13	M6
BHP2B0-D-8	0.488 (8)	270	285	300	3500	500	99.3	47.7	30	13	M6	30	13	M6
BHP2B0-D-10	0.61 (10)	270	285	300	3000	500	102.60	49.3	40	20	M6	30	13	M6
BHP2B0-D-12	0.732 (12)	270	285	300	3000	500	105.9	51	40	20	M8	30	13	M6
BHP2B0-D-14	0.854 (14)	250	265	280	4000	500	109.3	52.7	40	20	M8	30	13	M6
BHP2B0-D-16	0.976 (16)	250	265	280	4000	500	112.7	54.4	40	20	M8	30	13	M6
BHP2B0-D-18	1.098 (18)	250	265	250	3600	400	116	56	40	20	M8	30	13	M6
BHP2B0-D-20	1.22 (20)	220	235	250	3200	400	119.3	57.7	40	20	M8	30	13	M6
BHP2B0-D-22	1.342 (22)	220	235	230	3000	400	122.6	59.3	40	20	M8	30	13	M6
BHP2B0-D-25	1.525 (25)	200	215	230	3000	400	127.6	61.8	40	22	M8	30	13	M6
BHP2B0-D-28	1.708 (28)	180	190	200	2500	400	132.6	64.3	40	22	M8	30	13	M6
BHP2B0-D-30	1.83 (30)	160	170	180	2500	400	135.9	66	40	22	M8	30	13	M6

BHP3 [BHM3]

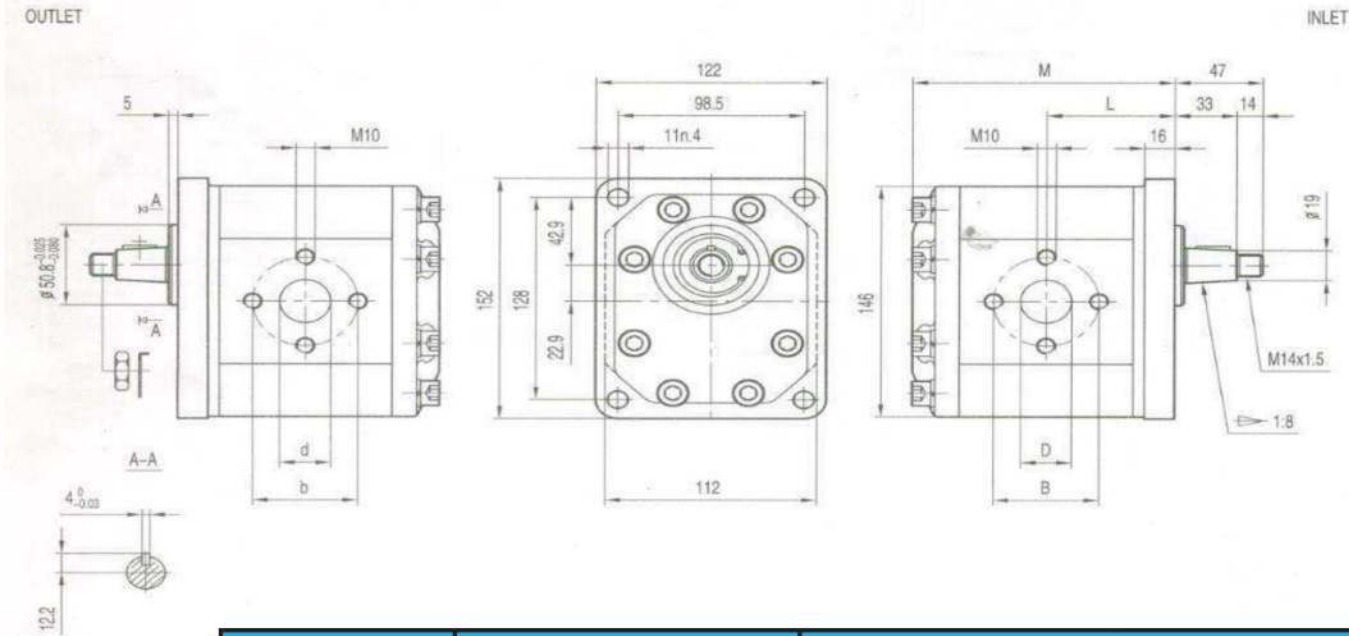
BH	P	3	MONTAJE DELANTERO	ROTACIÓN	DESPLAZAMIENTO	FLECHA	PUERTOS	POSICIÓN DE PUERTOS	SELLOS	OPCIONES
SERIE	P- BOMBA M- MOTOR	GRUPO	A0:SAE B 2 BARRENOS B0:MONTAJE EUROPEO	D DERECHA S IZQUIERDA R BIRROTACIONAL	20 22 26 33 39 46 50 52 55 63 71	C2 7/8 DE CUÑERO C3 1" DE CUÑERO T0 FLECHA CONICA 1:8				
										<u>OPCIONES</u> <u>DRAIN</u> Q0 DRAIN INTERNO Q1 DRAIN EXTERNO G3/8 Q2 DRAIN EXTERNO 3/4-16 UNF Q3 DRAIN EXTERNO G1/4 Q4 DRAIN EXTERNO 9/16-18 UNF

OUTLET

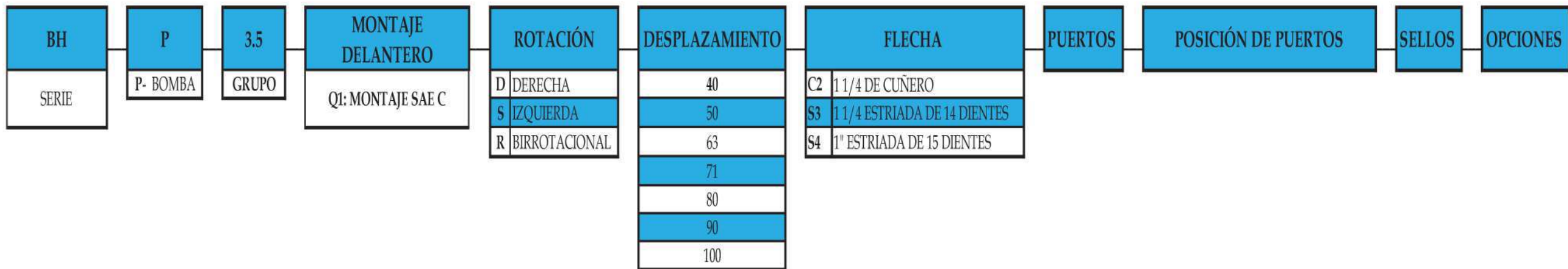
INLET



MODELO	DESPLAZAMIENTO	PRESIÓN MAXIMA			RPM MAXIMA	RPM MINIMA	DIMENSIONES								
		p1	p2	p3			M	L	A	B	C	D	a	b	d
	in ³ (cc ³ /rev)	bar	bar	bar	(r/min)	(r/min)	mm	mm	mm	mm	UNC	mm	mm	mm	mm
BHP3A0-D-20	1.22 (20)	250	265	280	3500	600	128	63	52.4	26.2	3/8	27	47.6	22.2	19
BHP3A0-D-22	1.324 (22)	250	265	280	3500	600	130	64	52.4	26.2	3/8	27	47.6	22.2	19
BHP3A0-D-26	1.586 (26)	250	265	280	3000	600	133	65	52.4	26.2	3/8	27	47.6	22.2	19
BHP3A0-D-33	2.013 (33)	230	250	270	3000	500	139	68	52.4	26.2	3/8	27	47.6	22.2	19
BHP3A0-D-39	2.379 (39)	230	250	270	3000	500	146	72	52.4	26.2	3/8	27	47.6	22.2	19
BHP3A0-D-46	2.806 (46)	230	250	270	3000	500	152	75	52.4	26.2	3/8	27	47.6	22.2	19
BHP3A0-D-50	3.05 (50)	220	240	260	3000	500	156	77	52.4	26.2	3/8	27	47.6	22.2	19
BHP3A0-D-52	3.172 (52)	220	240	260	3000	500	158	78	52.4	26.2	3/8	27	47.6	22.2	19
BHP3A0-D-55	3.355 (55)	200	230	250	2800	400	160	79	58.7	30.2	7/16	33	52.4	26.2	27
BHP3A0-D-63	3.843 (63)	200	230	250	2800	400	168	83	58.7	30.2	7/16	33	52.4	26.2	27
BHP3A0-D-71	4.331 (71)	180	230	250	2500	400	175	86	58.7	30.2	7/16	33	52.4	26.2	27

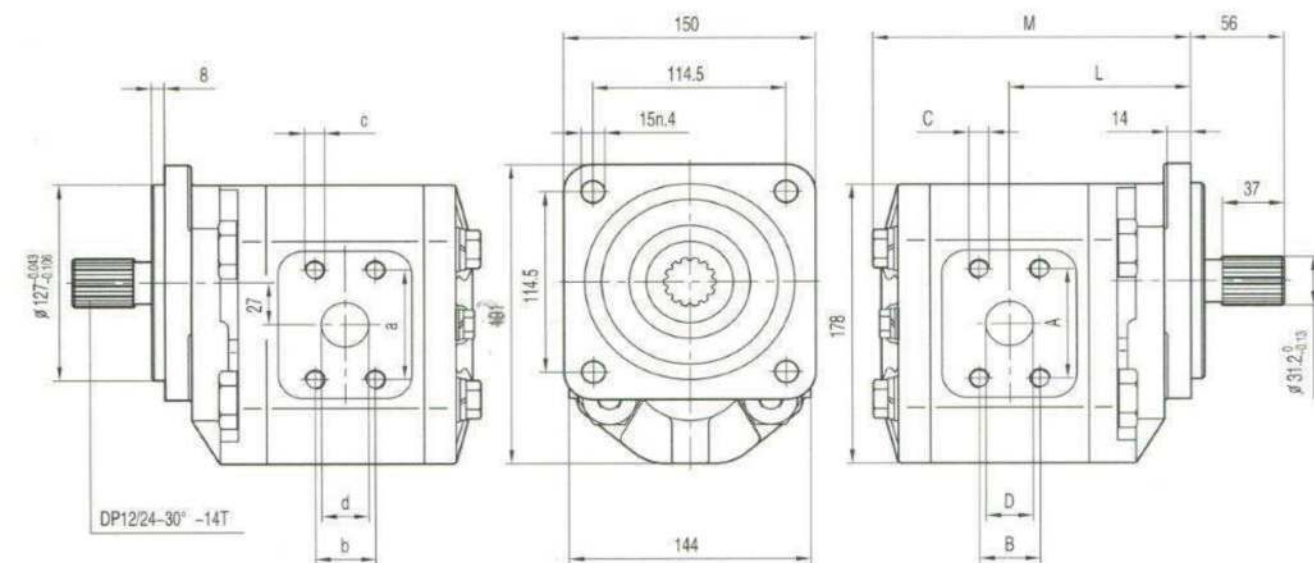


MODELO	DESPLAZAMIENTO	PRESIÓN MAXIMA			RPM MAXIMA	RPM MINIMA	DIMENSIONES					
		p1	p2	p3			M	L	B	D	b	d
	in ³ (cc ³ /rev)	bar	bar	bar	(r/min)	(r/min)	mm	mm	mm	mm	mm	mm
BHP3B1-D-20	1.22 (20)	250	265	280	3500	600	128	63	56	27	56	19
BHP3B1-D-22	1.324 (22)	250	265	280	3500	600	130	64	56	27	56	19
BHP3B1-D-26	1.586 (26)	250	265	280	3000	600	133	65	56	27	56	19
BHP3B1-D-33	2.013 (33)	230	250	270	3000	500	139	68	56	27	56	19
BHP3B1-D-39	2.379 (39)	230	250	270	3000	500	146	72	56	27	56	19
BHP3B1-D-46	2.806 (46)	230	250	270	3000	500	152	75	51	27	51	27
BHP3B1-D-50	3.05 (50)	220	240	260	3000	500	156	77	56	27	56	27
BHP3B1-D-52	3.172 (52)	220	240	260	3000	500	158	78	56	27	56	27
BHP3B1-D-55	3.355 (55)	200	230	250	2800	400	160	79	62	33	51	27
BHP3B1-D-63	3.843 (63)	200	230	250	2800	400	168	83	62	33	51	27
BHP3B1-D-71	4.331 (71)	180	230	250	2500	400	175	86	62	33	51	27

BAP3.5


OUTLET

INLET



MODELO	DESPLAZAMIENTO	PRESIÓN MAXIMA			RPM MAXIMA	RPM MINIMA	DIMENSIONES									
		p1	p2	p3			M	L	A	B	C	D	a	b	c	d
	in ³ (cc ³ /rev)	bar	bar	bar	(r/min)	(r/min)	mm	mm	mm	mm		mm	mm	mm		mm
BAP3.5Q1-D-40	2.44 (40)	250	265	280	6000	600	189	108	60	30	M10	32	52	26	M10	25
BAP3.5Q1-D-50	3.050 (50)	250	265	280	6000	600	195	111	60	30	M10	32	52	26	M10	25
BAP3.5Q1-D-63	3.843 (63)	250	265	280	5000	500	203	115	60	30	M10	32	52	26	M10	25
BAP3.5Q1-D-71	4.331 (71)	230	250	270	5000	500	208	117	70	36	M10	35	60	30	M10	32
BAP3.5Q1-D-80	4.88 (80)	230	250	270	5000	500	213	120	70	36	M10	35	60	30	M10	32
BAP3.5Q1-D-90	5.49 (90)	200	230	250	5000	500	219	123	70	36	M10	40	60	30	M10	32
BAP3.5Q1-D-100	6.1 (100)	200	230	250	5000	500	225	126	70	36	M10	40	60	30	M10	32