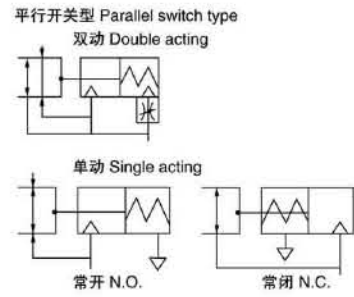
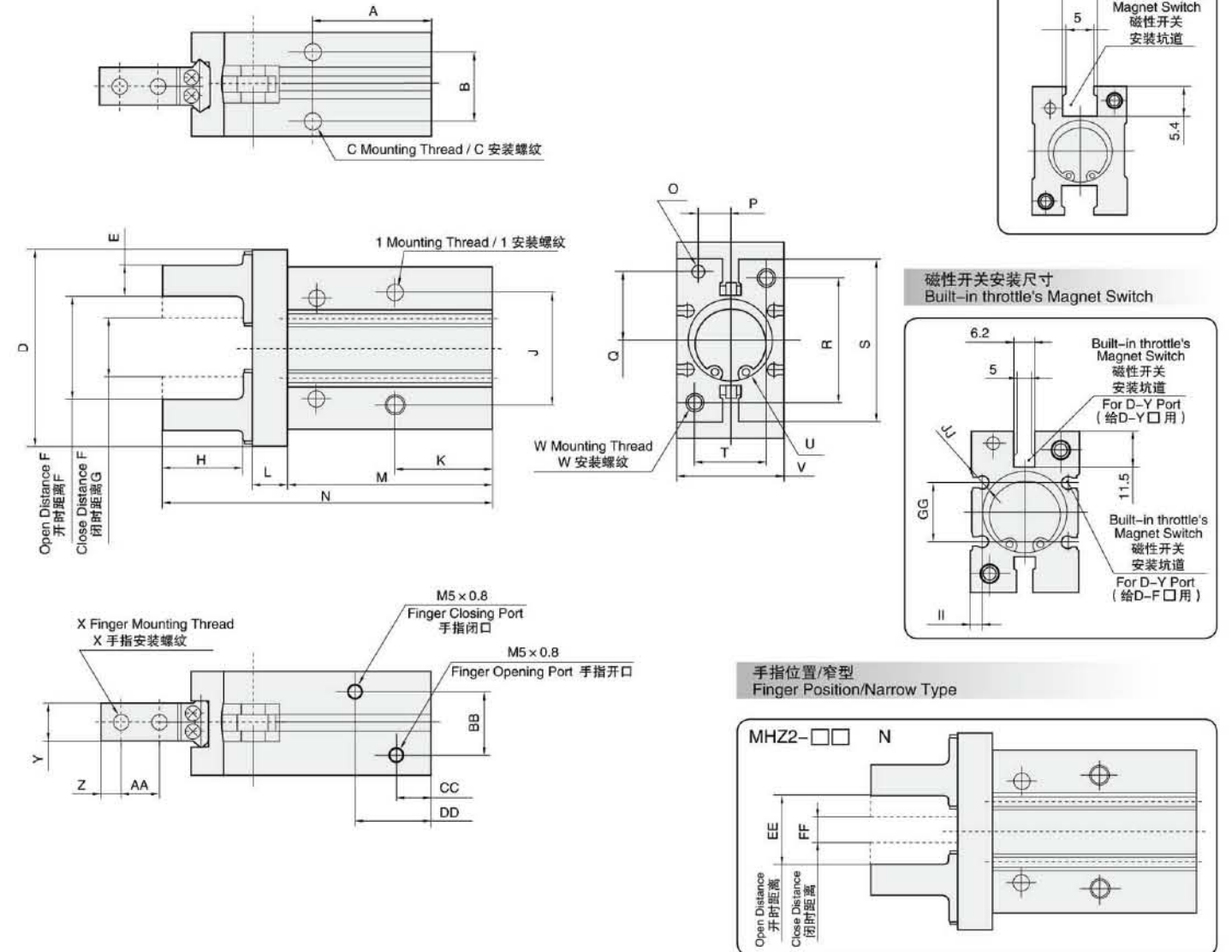


DIAMETRO (mm)	16	20	25
FLUIDO	Aire Comprimido		
ACCIONAMIENTO	Doble Accion		
AMORTIGUACION	Interna		
Maxima presion de trabajo	10 bar		
CONEXION	M5X0.8		
Minima presion de trabajo	15 bar		
Temperatura	5 - 60 °C		
Velocidad de Operacion	180 (c.p.m)		
LUBRICACION	Se recomienda ISO VG32		
CARRERA	n/a		
MATERIAL	Aleacion de Aluminio		

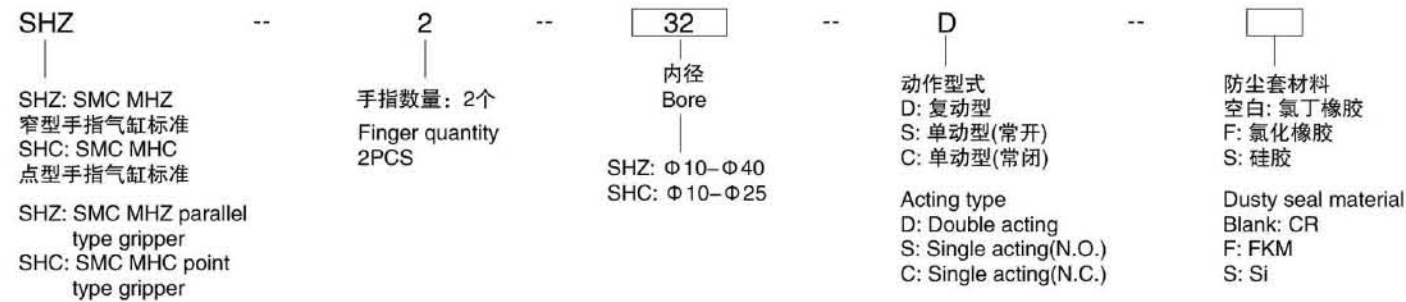


外形尺寸图 Main Dimensions (mm)

SHZ 2 Φ10-25



订货举例 How to Order?



- * SHZ2 窄型手指气缸, 复动型, 20mm 内径, 型号: SHZ2-20D
- * SHC2 点型手指气缸, 单动型常开, 16mm 内径, 型号: SHC2-16S
- * SHZ2 type parallel type gripper, double acting, 20mm bore, model: SHZ2-20D
- * SHC2 type point type gripper, single acting, N.O., 16mm bore, model: SHC2-16S

产品特性 Product Features

- * 完整的线性导轨保证了高强度、高精度
- * 内置式的安装槽使磁性开关的安装更方便
- * 多种防尘胶套材料可选
- * Complete linear guide trail guarantee high strength and precision
- * Variable built-in slot make it easily to mount sensor switch
- * Different dusty cap materials are optional

规格 Specifications

内径 Bore(mm)	6	10	16	20	25	32	40
动作型式 Acting type	复动型 Double acting 单动: 常开型/常闭型 Single acting: Normal open / Normal close						
工作介质 Working medium	经25 μm 滤芯过滤的空气 Clean air (25 μm filtration)						
保证耐压力 Guaranteed pressure (Bar)	7						
最小工作压力 Min. working pressure(Bar)	1.5	2				1	
工作温度 Working temperature (°C)	-10~60						
重复精度 Repeatability (mm)	±0.01			±0.02			
最高操作频率 Max. operation frequency (c.p.m)	180			60			
润滑 Lubrication	不需要 Not Required						
磁石 Magnet	有 always have						
接管口径 Port size	M3x0.5			M3x0.8			

内径 Bore	A	B	C	D	E	F	G	H	I	J	K	L	M	N	O	P	Q	R	S	T
10	27	11.4	M3X0.5深6 M3X0.5 Depth 6	29	4 ⁰ _{-0.1}	15.2 ^{0.22} ₀	11.2 ^{0.7} ₀	12	M3X0.5深5.5 M3X0.5 Depth 5.5	16	23	6	37.8	57	Φ2H9 ^{0.025} ₀ 深3 Φ2H9 ^{0.025} ₀ Depth 3	5.2±0.02	7.6±0.02	18	23	12
16	30	16	M4X0.7深4.5 M4X0.7 Depth 4.5	38	5 ⁰ _{-0.1}	20.9 ^{0.22} ₀	14.9 ^{0.7} ₀	15	M4X0.7深8 M4X0.7 Depth 8	24	24.5	7.5	42.5	67.3	Φ3H9 ^{0.025} ₀ 深3 Φ3H9 ^{0.025} ₀ Depth 3	6.5±0.02	11±0.02	22	30.6	15
20	35	18.6	M5X0.8深8 M5X0.8 Depth 8	50	8 ⁰ _{-0.1}	26.3 ^{0.22} ₀	16.3 ^{0.7} ₀	20	M5X0.8深10 M5X0.8 Depth 10	30	29	9.5	52.8	84.8	Φ4H9 ^{0.030} ₀ 深4 Φ4H9 ^{0.030} ₀ Depth 4	7.5±0.02	16.8±0.02	32	42	18
25	36.5	22	M6X1深10 M6X1 Depth 10	63	10 ⁰ _{-0.1}	33.3 ^{0.22} ₀	19.3 ^{0.6} ₀	25	M6X1深12 M6X1 Depth 12	36	30	11	63.6	102.7	Φ4H9 ^{0.030} ₀ 深4 Φ4H9 ^{0.030} ₀ Depth 4	10±0.02	21.8±0.02	40	52	22
内径 Bore	U	V	W	X	Y	Z	AA	BB	CC	DD	EE	FF	GG	HH	II	JJ				
10	Φ11H9 ^{0.043} ₀ 深2 Φ11H9 ^{0.043} ₀ Depth 2	16.4±0.05	M3X0.5深6 M3X0.5 Depth 6	M2.5X0.45	5 ⁰ _{-0.05}	3	5.7	11	9	19	9.7 ^{0.22} ₀	5.7 ^{0.4} ₀	-	5.4	-	-				
16	Φ17H9 ^{0.043} ₀ 深2 Φ17H9 ^{0.043} ₀ Depth 2	23.6±0.05	M4X0.7深8 M4X0.7 Depth 8	M3X0.5	8 ⁰ _{-0.05}	4	7	13	7.5	19	12.6 ^{0.22} ₀	6.6 ^{0.4} ₀	11.6	5.8	2.1	Φ4				
20	Φ21H9 ^{0.052} ₀ 深3 Φ21H9 ^{0.052} ₀ Depth 3	27.6±0.05	M5X0.8深10 M5X0.8 Depth 10	M4X0.7	10 ⁰ _{-0.05}	5	9	15	10	23	17.2 ^{0.22} ₀	7.2 ^{0.4} ₀	14	9	2.1	Φ4				
25	Φ26H9 ^{0.052} ₀ 深3.5 Φ26H9 ^{0.052} ₀ Depth 3.5	33.6±0.05	M6X1深12 M6X1 Depth 12	M5X0.8	12 ⁰ _{-0.05}	6	12	20	10.7	23.5	22.8 ^{0.25} ₀	8.8 ^{0.4} ₀	19	11.5	3.5	Φ4				