

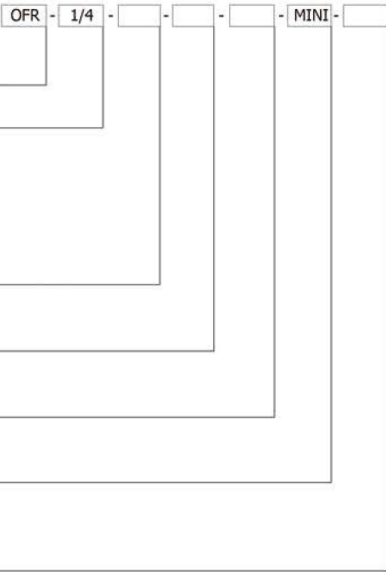
## Especificaciones OFR

MEDIDA		MINI			MIDI			MAXI	
FLUIDO		Aire Comprimido							
Características de la estructura		Filtro sinterizado con separador de agua, MINI / MIDI: Regulador de membrana tipo; MAXI: Regulador de pistón; Direct constante densidad lubricador							
TIPO DE MONTAJE		Montaje tipo tubo							
POSICION DE MONTAJE		Vertical $\pm 5^\circ$							
CONEXION		G1/8"	G1/4"	G3/8"	G3/8"	G1/2"	G3/4"	G3/4"	G1"
CAUDAL NOMINAL	OU-...(-A)	700	1000	1200	2000	2600	2600	7000	8000
	OU-...-7(-A)	800	1300	1500	2500	2800	2800	8500	8700
	OU-...-5M(-A)	600	850	1050	1700	1800	2100	6500	7200
PRESION PRIMARIA	PURGA MAN.	1~16bar							
	PURGA AUTO	1.5~12bar							
PRESION DE TRABAJO		0.5~12bar							
CAUDAL NOMINAL MINIMO		3 l/min			6 l/min			10 l/min	
GRADO DE FILTRACION		40 $\mu$ m / 5 $\mu$ m							
RANGO TEMPERATURA		0~60°C							
MATERIAL		Housing: Zinc die-casting; Filter bowl and oil bowl: PC; Metal bowl guard: Aluminium alloy; Sealing: NBR; Adjusting knob: POM							



过滤器和减压阀组成一个单独的装置，能过滤空气中的液态油、冷凝水及杂质，对于特殊应用场合，5μm滤芯容易替换40μm的标准滤芯。即使输入压力与压缩空气消耗产生系统波动，减压阀也能保证其设定的工作压力非常稳定。

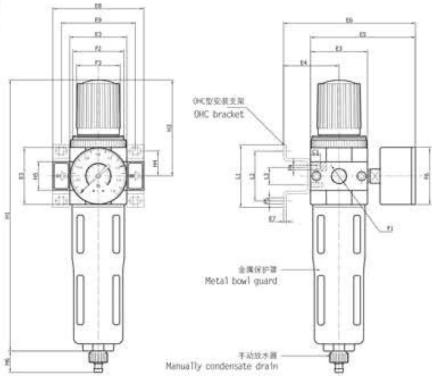
Filter and pressure regulator combine a single unit, and cleans the compressed air of fluid oil, condensation and dirt particles. For special application, the standard 40μm filter element may easily be replaced by a 5 μm filter element. The OR maintain inputting constant operating pressure despite fluctuation in line pressure and the amount of air consumed.



基本功能 Basic function	
OFR	过滤减压阀 Filter regulator
接口尺寸 Connection	
1/8	G1/8
1/4	G1/4
3/8	G3/8
1/2	G1/2
3/4	G3/4
1	G1
压力调节范围 Pressure regulation range	
7	0.5...12bar
5M	0.5...7bar
过滤等级 Grade of Filtration	
	40 μm
5M	5 μm
压力表 Pressure gauge	
0	带压力表 With pressure gauge
A	不带压力表 Without pressure gauge
规格 Size	
MINI	小型
MIDI	中型
MAXI	大型
排水阀 Condensate drain	
S	手动 Turned manually
A	半自动 Semi-automatic
	自动 Fully automatic

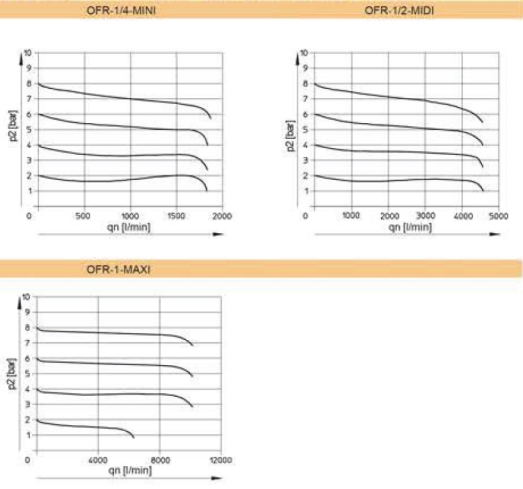
主要技术参数 General technical data								
Size	MINI		MIDI		MAXI			
工作介质 Medium	压缩空气 Compressed air							
结构特点 Features of structure	带水分离器的烧结式过滤器；MINI/MIDI：膜片式减压阀；MAXI：活塞式减压阀 Sintered filter with water separator; MINI/MIDI: Diaphragm type regulator; MAXI: Piston regulator							
安装方式 Mounting type	管式安装或支架安装 Pipe mounting or foot mounting							
安装位置 Assembly position	垂直方向 ±5° Vertical ±5°							
连接尺寸 Connection	G1/8	G1/4	G3/8	G3/8	G1/2	G3/4	G3/4	G1
标准额定流量 Standard nominal flow rate	OFR-...(-A)	750	1400	1600	3100	3400	9000	10000
	OFR-...-7(-A)	900	1500	1700	3400	3900	4000	9500
	OFR-...-5M(-A)	650	1200	1350	2400	2500	2600	7300
输入压力 Primary pressure	手动排水阀 Manual condensate drain	1-16bar						
	自动排水阀 Automatic condensate drain	1.5-12bar						
工作压力 Working pressure	0.5-12bar / 0.5-7bar							
过滤精度 Grade of filtration	40 μm / 5 μm							
最大凝液容量 Max condensate capacity	22ml		43ml		80ml			
温度范围 Temperature range	0-60°C							
材料 Materials information	壳体：压铸锌；过滤杯：聚碳酸酯；金属保护罩：铝合金；密封：丁腈橡胶；调压手轮：POM Housing: Zinc die-casting; Filter bowl: PC; Metal bowl guard: Aluminium alloy; Sealing: NBR; Adjusting knob: POM							

尺寸图 Dimensions

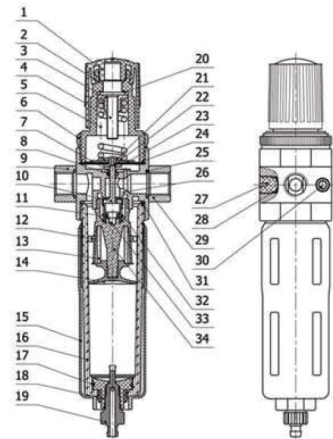


型号 Model	E1	E4	E5	E6	E8	E9	F1	F2	F3D	F4	F5D	F6D	L1	L2	L3	H1	H3	H4	H5	H6
OFR-...-MINI	40	39	76	95	64	52	G1/8,G1/4,G3/8	M3*1.5	31	M4	4.5	40	44	35	11	194	60	17.5	20	15
OFR-...-MIDI	95	47	93	112	85	70	G1/8,G1/2,G3/4	M5*1.5	50	M5	5.5	52	71	60	22	250	98	24.5	32	15
OFR-...-MAXI	66	53	104	124	96,116	80,91	G3/4,G1	M3*1.5	31	M5	5.5	63	71	60	22	252	80	24.5	32,40	15

标准额定流量qn和输出压力p2的关系 Standard flow rate qn as a function of the output pressure p2



内部结构图 Inner structure



序号 NO.	名称 Item	材料 Material	序号 NO.	名称 Item	材料 Material
1	调压手轮 Pressure knob	POM	21	OR膜片 Sheet	NBR
2	调压盖 Regulator cap	POM	22	溢流底座 Overflow base	6061-T6
3	主调压六角螺母 Regulator nut	S35C	23	膜片托盘 One part of diaphragm	SPCC
4	调压螺钉 Adjusting spindle	S35C	24	膜片 Diaphragm	NBR+尼龙网
5	弹簧 Pressure spring	SWC	25	O型圈 O-ring	NBR
6	浪花并帽 Fixed ring	6061-T6	26	OR壳体 OR Body	锌合金 Zinc alloy
7	膜片挡圈 One part of membrane	PA6+G15	27	丝堵 Plug	POM
8	O型圈 O-ring	NBR	28	O型圈 O-ring	NBR
9	分气块-IN Flange - IN	锌合金 Zinc alloy	29	分气块-OUT Flange - OUT	锌合金 Zinc alloy
10	黄芯 Spool	黄铜 Brass	30	内六角螺丝 Allen screw	S35C
11	O型圈 O-ring	NBR	31	O型圈 O-ring	NBR
12	离心叶轮 Whirl wind impeller	POM	32	复位弹簧 Spring	SWPB
13	滤芯 Filter element	聚乙烯 PE	33	扣钉 Fasteners	黄铜 Brass
14	排水板 Manger	POM	34	滤芯座 Filter element base	POM
15	保护罩 Metal bowl guard	铝合金 Aluminium alloy			
16	水杯 Filter bowl	PC			
17	O型圈 O-ring	NBR			
18	内接头 Inner joint	POM			
19	放水阀 Condensate drain	POM			
20	耐磨垫片 Wearing sheet	绝缘胶膜 Insulation sheet			