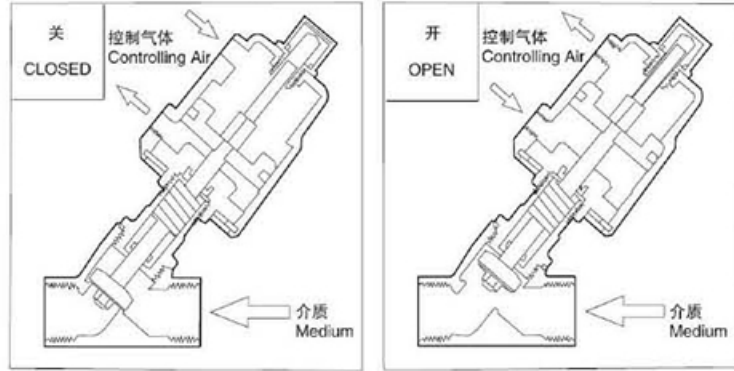


Especificaciones PAV

SERIE	PAV-10	PAV-15	PAV-20	PAV-25	PAV-40	PAV-50
FLUIDO	Agua, Gas Neutral o liquido, Ethanol, aceite, solvente organico y vapor					
ACCIONAMIENTO	Normalmente cerrada, Normalmente abierta o Doble Accion					
TIPO DE VALVULA	2 vias 2 posiciones controlada externamente					
PRESION DE OPERACION	0 a 232 psi (0 a .16 Bar)					
CONEXION	3/8"	1/2 "	3/4"	1"	1 1/2 "	2 "
Minima presion de trabajo	0 psi (0 bar)					
Temperatura	PTFE -10 a 180 °C , FPM -10 a 100 °C					
Viscosidad	600 mm ² /s					
Medio de Control	Aire de 45 a 116 psi					
Fijacion	Cualquier posicion					
Material Control	Ingenieria de Plastico o Acero Inoxidable					
Lubricacion	No se requiere					
Material de Cuerpo	Acero Inoxidable SS304 o SS316					

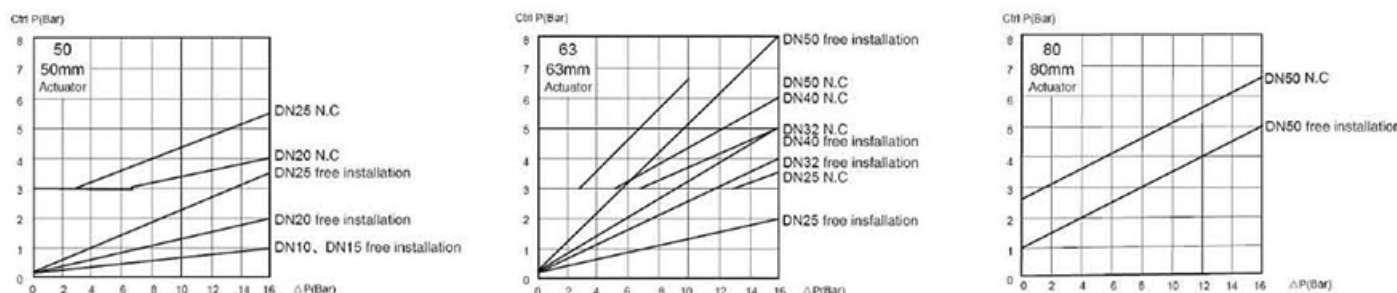
流向: 阀座上方 双作用常闭/常开
Flow direction: UP the seat, double action N.C/N.O



规格 Specifications

规格 Type	接口 Port size	流量 口径 Orifice	执行器 Actuator (mm)	Kv 值 Kv value	工作压力 180°C Working pressure 180°C max (Bar)	允许压差 Admitted pressure difference (Bar)	控制压力		订货号 Model	
							双作用常闭 Double acting (N.C) (Bar)	双作用自由状态 Double acting free installation (Bar)	双作用常闭 Double acting (N.C)	双作用自由状态 Double acting free installation
DN10	G3/8"	13	40	4.7	16	0-16	≥4	0-2	EMC10-40C	EMC10-40D
DN10	G3/8"	13	50	4.7		0-16	≥3	0-1	EMC10-50C	EMC10-50D
DN15	G1/2"	13	40	4.7		0-16	≥4	0-2	EMC15-40C	EMC15-40D
DN15	G1/2"	13	50	4.7		0-16	≥3	0-1	EMC15-50C	EMC15-50D
DN20	G3/4"	18	50	9.5		0-16	3-4	0-2	EMC20-50C	EMC20-50D
DN25	G1"	24	50	18.1		0-16	3-5.5	0-3.5	EMC25-50C	EMC25-50D
DN25	G1"	24	63	18.1		0-16	3-3.5	0-2	EMC25-63C	EMC25-63D
DN32	G1-1/4"	31	63	23.1		0-16	3-5	0-4	EMC32-63C	EMC32-63D
DN40	G1-1/2"	35	63	32.9		0-16	3-6	0-5	EMC40-63C	EMC40-63D
DN50	G2"	45	63	52.8		0-10	3-6.5	0-8	EMC50-63C	EMC50-63D
DN50	G2"	45	80	52.8		0-16	3-6.6	0-5	EMC50-80C	EMC50-80D

流量特性 Flow Chart



订货举例 How to Order?

EMCP	--	10	--	40	--	A	--	S1
EMCP塑料头系列角座阀 EMCP plastic actuator series angle valve		接管口径 Port size 10: 3/8" 15: 1/2" 20: 3/4" 25: 1" 32: 1-1/4" 40: 1-1/2" 50: 2"		执行器大小 Actuator size 40: 40mm 50: 50mm 63: 63mm 80: 80mm 100: 100mm		型式 Type A: 单作用常闭 B: 单作用常开 C: 双作用 A: Single acting normal close B: Single acting normal open C: Double acting		材质 Body material S1:SS316 S2:SS304

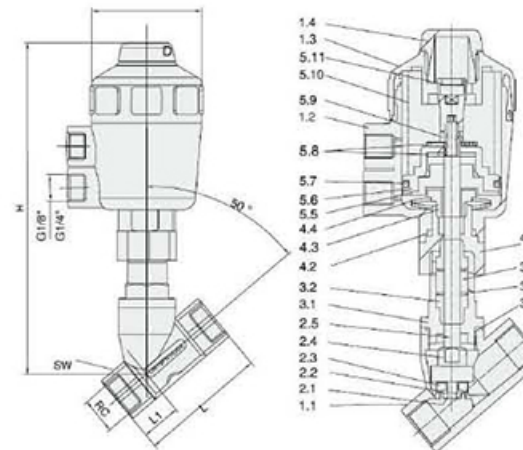
* EMCP塑料头系列角座阀, 3/8"接口管径, 执行器大小40mm, 单作用常闭, SS304阀体, 型号: EMC10-40AS2

* EMCP plastic actuator series angle valve, 3/8" port size, actuator size: 40mm, single acting normal close, SS304 valve body, Model: EMC10-40AS2

产品特性 Product Features

- 常开/常闭塑料头角座阀, 阀体材质: 不锈钢304, 不锈钢316
- 有多种密封件可以选择以适应不同的介质
- 接管口径从3/8"到2"
- 经济实用
- Normal close/Normal open plastic actuator angle valve, available body: SS304, SS316
- Multiple seals are available for different medium
- Wide size range from 3/8" to 2"
- More economy style

外形尺寸图 Main Dimensions (mm)



外形尺寸 Outline dimension(mm)							
DN	RC	L	L1	SW	H	D	执行器 Actuator
10	3/8"	55	17	21	120	54	40
15	1/2"	70	21	26.5	135	63	50
20	3/4"	76	23	32	145	63	50
25	1"	90	25	40	155	63	50
32	1-1/4"	116	32	50	200	81	63
40	1-1/2"	116	32	55.5	230	96	80
50	2"	138	40	68.5	250	96	80

部件列表 List of parts		
1.1 阀体 Body	3.1 螺纹连接件 Screw connector	5.5 活塞 Piston
1.2 气缸 Cylinder	3.2 V型填料 V sealing	5.6 法兰 Flange
1.3 气缸盖 Cylinder head	3.3 密封环 Seal ring	5.7 密封圈 Seal ring
1.4 装饰盖 Ornament cover	3.4 垫圈 Gasket	5.8 垫片 Gasket
2.1 螺栓 Bolt	3.5 弹簧 Spring	5.9 六角螺母 Hexagon nut
2.2 孔板密封件 Orifice plate seal	4.1 连接螺母 Connecting nut	5.10 弹簧 Spring
2.3 密封盘 Seal disc	4.2 密封圈 Seal ring	5.11 位置指示器 Position indicator
2.4 阀盘 Disc	4.3 锁紧螺母 Lock nut	
2.5 阀杆 Stem	4.4 弹簧片 Leaf spring	

规格 Specifications

型号 Model	DN10-DN50	型号 Model	PTFE: -10°-180° FPM: -10°-100°
接管口径 Port size	DN10-DN50	介质温度 Temperature of medium	
螺纹 Thread	G3/8"-G1/2"	粘度 Viscosity	max 600mm ² /s
阀体材质 Body material	不锈钢 SS316/SS304	安装 Installation	any position
执行器材料 Actuator material	工程塑料 Engineering plastic	控制介质 Controlling medium	air/neutral gas
阀芯密封 Seat seal	PTFE/FPM	控制压力范围 Controlling pressure (Bar)	3-8
阀杆密封 Stem seal	PTFE/FPM	工作压力 Working Pressure(Bar)	0-16
活塞密封 Piston seal	FPM/NBR		
适用介质 Applicable medium	水, 中性气体或液体, 酒精, 油, 有木溶空气中性气体剂, 水蒸气 water, neutral gas or liquid, ethanol, oil, organic solvent, steam,		