

SERIE	SLC	SY3220
FLUIDO	Agua	
ACCIONAMIENTO	Accionamiento Directo	
TIPO DE VALVULA	2 vias 2 posiciones	2 vias 2 posiciones doble solenoide
PRESION DE OPERACION	0 a 114 psi (0 a 8 bar)	
CONEXION	1/8" NPT	1/4" NPT
Maxima presion de trabajo	150 psi	
Temperatura	-10 a 80 °C	
ESTADO INICIAL	Normalmente Cerrada	
Maxima frecuencia	5 ciclos/seg	
Tamaño de Orificio	2.5 mm (3/32)	
Material de Empaques	EPDM	
PROTECCION	IP65 (DIN40050)	
VOLTAJES	12 VDC, 24 VDC, 24 VAC , 110 VAC, 220 VAC	
MATERIAL	Nylon	

SLC 系列饮水机专用电磁阀
SLC Series Solenoid Valve Specially For Drinking Fountain

EWSLC1/EWSLC2 Series



EWSLC1



EWSLC2



EWSLC 系列饮水机专用电磁阀
SLC Series Solenoid Valve Specially For Drinking Fountain

EWSLC3/EWSLC4 Series



EWSLC3



EWSLC4



订货举例 How to Order?

EWSLC -- 1 -- E4

EWSLC系列
EWSLC series

1: 1/8" 接管口径
2.5mm流量孔径
2: 1/4" 接管口径
2.5mm流量孔径
1: 1/8" port size
2.5mm orifice
2: 1/4" port size
2.5mm orifice

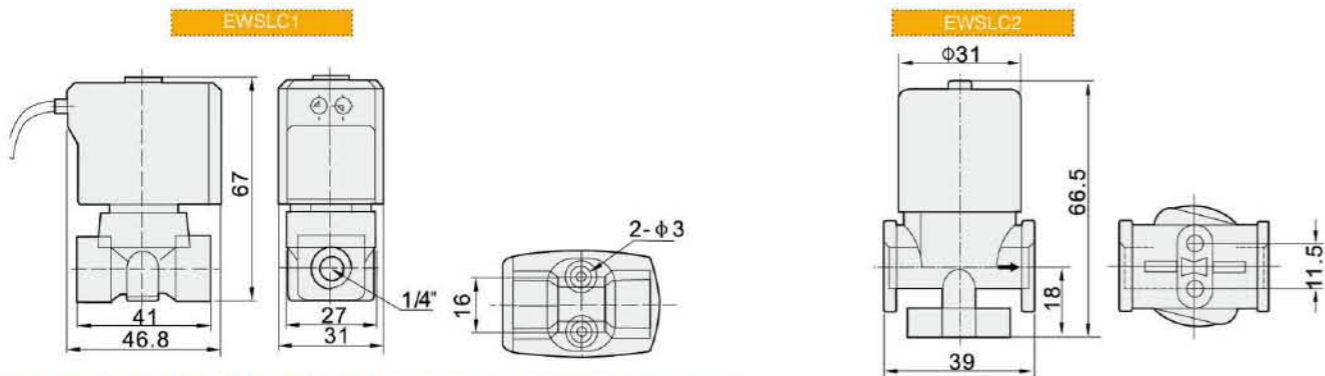
电压
Voltage
E1: AC110V
E2: AC220V
E4: DC24V
E5: DC12V

* EWSLC1系列, 接管口径1/8", 流量通径 2.5mm, AC220V, 型号: EWSLC1E2
* EWSLC1 series, 1/8" port size, orifice: 2.5mm, AC220V, model: EWSLC1E2

产品特性 Product Features

- * 常闭电磁阀, PP/尼龙66阀体
- * 符合食品等级标准
- * 直动式电磁阀
- * Normal close, PP/Nylon 66 body
- * Food application
- * Direct acting solenoid valve

外形尺寸图 Main Dimensions (mm)



规格 Specifications

* 以下表格中电压为AC220V Voltage: AC220V

型号 Model	EWSLC1E2	EWSLC2E2
工作介质 Working medium	水 Water	
动作型式 Acting type	直动式,常闭 Direct acting type,N.C.	
流量孔径 Orifice (mm)	2.5	
CV值 CV value	0.21	
接管口径 Port size	1/8"	1/4"
工作压力 Working pressure (Bar)	0-8	
最大耐压力 Guaranteed pressure(Bar)	12	
电压波动范围 Voltage range	-15 ~ 10%	
工作温度 Working temperature (°C)	0-100	
阀体材质 Valve body material	PP 1/8(黑 Black) 1/4(白 White) Nylon66(尼龙66)	
密封件材质 Seal material	EPDM	

订货举例 How to Order?

EWSLC -- 3 -- E4

EWSLC系列
EWSLC series

流量通径
Orifice
3: 8mm
4: 9mm

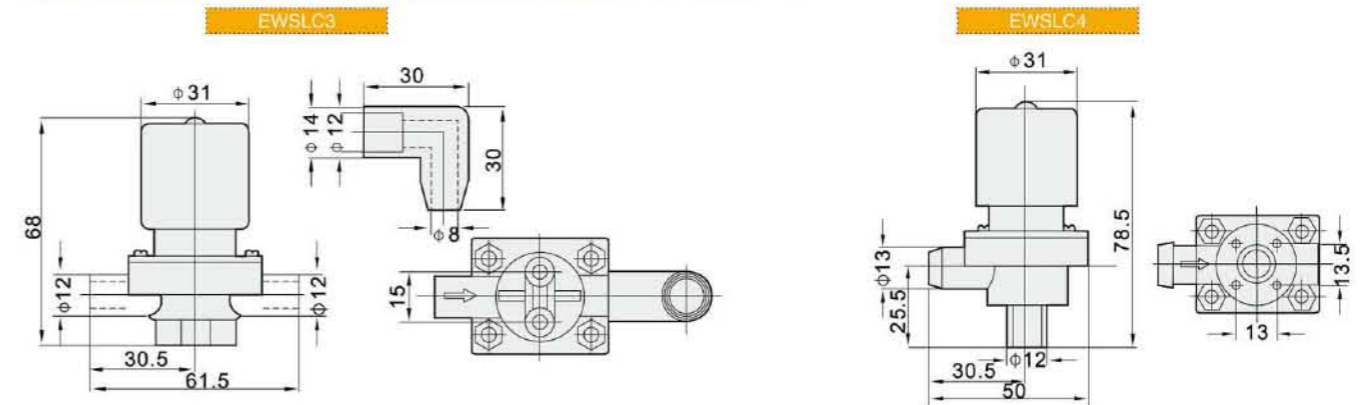
电压
Voltage
E4: DC24V
E5: DC12V

* EWSLC系列, 流量通径 8mm, DC24V, 型号: EWSLC3E4
* EWSLC series, orifice: 8mm, DC24V, model: EWSLC3E4

产品特性 Product Features

- * 常闭电磁阀, PP阀体
- * 硅橡胶密封件, 符合食品等级标准
- * 直动式电磁阀
- * Normal close, PP body
- * Silicon seal for food application
- * Direct acting solenoid valve

外形尺寸图 Main Dimensions (mm)



规格 Specifications

* 以下表格中电压为AC220V Voltage: AC220V

型号 Model	EWSLC3E4	EWSLC4E4
工作介质 Working medium	水 Water	
动作型式 Acting type	直动式,常闭 Direct acting type,N.C.	
流量孔径 Orifice (mm)	8	9
CV值 CV value	1.0	1.5
接管口径 Port size	12	
工作压力 Working pressure (Bar)	0-0.06	
最大耐压力 Guaranteed pressure(Bar)	9	
电压波动范围 Voltage range	-15 ~ 10%	
工作温度 Working temperature (°C)	0-100	
阀体材质 Valve body material	PP	
密封件材质 Seal material	硅橡胶 Silicon rubber	