

Especificaciones UW

SERIE	UW-08	UW-10	UW-15	UW-20	UW-25
FLUIDO	Aire, Agua y Aceite				
ACCIONAMIENTO	Internamente Piloteada				
TIPO DE VALVULA	2 vias 2 posiciones				
PRESION DE OPERACION	5 a 120 psi (.3 a 9 bar)				
CONEXION	1/4" NPT	3/8" NPT	1/2" NPT	3/4" NPT	1" NPT
Maxima presion de trabajo	150 psi				
Temperatura	-5 a 80 °C				
ESTADO INICIAL	Normalmente Cerrada				
Maxima frecuencia	3 ciclos/seg				
Tamaño de Orificio	2.5 mm	4 mm	16 mm	20 mm	25 mm
Material de Empaques	NBR				
PROTECCION	IP65 (DIN40050)				
VOLTAJES	12 VDC, 24 VDC, 24 VAC , 110 VAC, 220 VAC				
MATERIAL	Cuerpo de Acero Inoxidable 304				

Fluid control valve(2/2way)

2L Series (Internally piloted and normally closed)



2L



Symbol



Product feature

- 1, 2/2 way internally piloted and normally closed type solenoid valve can quickly change the direction and has large volume;
- 2, It has tight structure, small size and light weight. It is easy to be installed and dismantled;
- 3, The valve body is made of SUS304 stainless steel. The temperature classification of coil is H. The material of standard seals is PTFE (Teflon) which is suitable for several kinds of working medium and is especially for the water with high temperature and vapor;
- 4, The levels of protection of the coil are IP65 and the electrical entry includes grommet and terminal.

Valve's specification

Acting	Internally piloted				
Initial status	Normally closed				
Adaptable fluid ¹	Steam, High temperature Water, Oil				
Viscosity limit	Under 20 CST				
Ambient and fluid temperature (°C)		Oil	Water	Steam	Ambient
	MAX.	150	150	183	100
	Min.	-10 ²	1	-	-20

¹Note: Please refer to P I -79 for detail of other's fluid;
²Note: 50CST or less.

Inner structure

2L150 Terminal



Specification

Type/item	Port size (1)	Orifice size (φ mm)	Cv	Valid area of section(mm ²)	Weight 2 (g)	Operating pressure differential		Proof pressure	
						MPa	psi	MPa	psi
2L150-15	1/2"	15.0	5.50	100.0	675	Max: 1.0 Min: 0.05	Max: 150 Min: 10	1.5	220
2L200-20	3/4"	20.0	9.50	170.0	875				
2L250-25	1"	25.0	12.50	220.0	1120				
2L320-32	1 1/4"	35.0	23.00	420.0	2700				
2L400-40	1 1/2"	40.0	31.00	560.0	3250				
2L500-50	2"	50.0	49.00	880.0	4300				

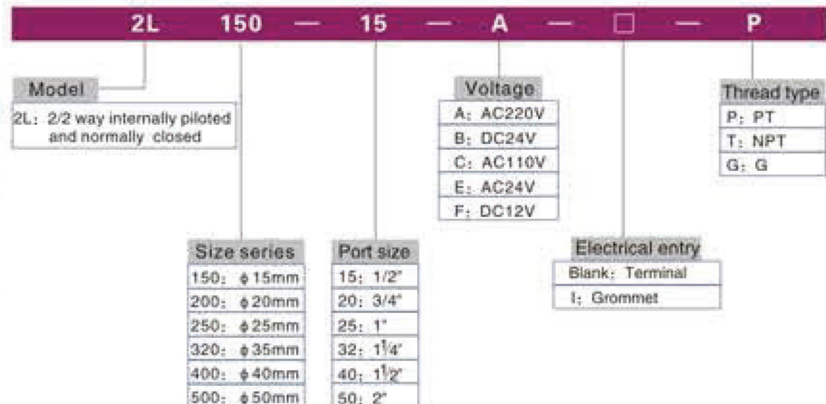
¹ PT thread, NPT thread and G thread are available.

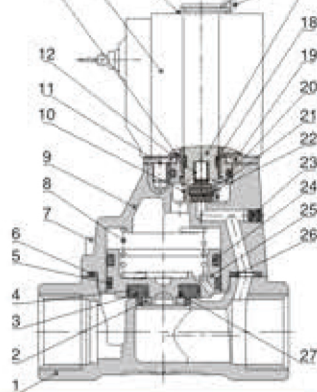
²The weight in the table is the terminal valve's weight, 2L150-250series grommet valve's weight is 10g less than terminal's. 2L320-500series grommet valve's weight is 20g less than terminal's.

Specification of coil

Valve type	Coil type	Power	Frequency (Hz)	Voltage range	Electrical entry	Power Consumption (VAW)	Insulation	Temp rise(°C)
2L150 2L200 2L250	CDA116 CLA116	AC	50	± 15%	Terminal (CDA) Grommet (CLA)	10.0VA	Class H	35
			60			8.0VA		30
	DC	-	± 10%	6.5W		30		
2L320 2L400 2L500	CDA170 CLA170	AC	50	± 15%		25.0VA		60
			60			22.0VA		55
	DC	-	± 10%	10.5W		40		

Ordering code





NO.	Item	NO.	Item	NO.	Item
1	Body	10	Spring	19	fixed plate
2	Fixed ring	11	Screw	20	O-ring
3	Airtight bush	12	Spring	21	Fixed plate
4	O-ring	13	Bead flange	22	Airtight ring
5	Wear ring	14	Coil assembly	23	Plug
6	Screw	15	Washer	24	Spring
7	Gasket	16	E clip	25	Piston
8	Spring	17	Movable	26	Bushing
9	Cover	18	Movable core	27	O-ring

Ordering code of accessories

Ordering code of accessories is the same as 2W series valve's, Please refer to PI-54 for details of ordering code.

Note:  320\400\500 series valves do not have mounting accessories.

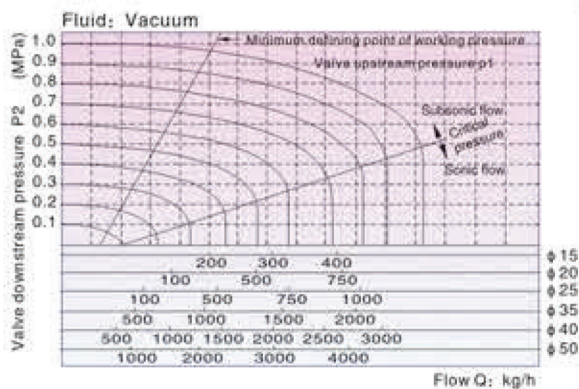
I-70

Fluid control valve(2/2way)

2L Series (Internally piloted and normally closed)

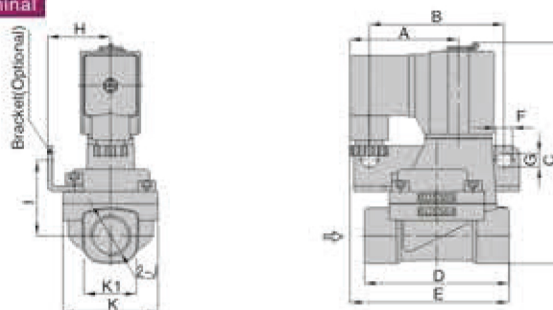
AIRTAC

Flow chart

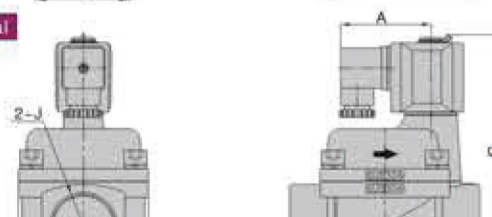


Dimensions

2L150-250 Terminal

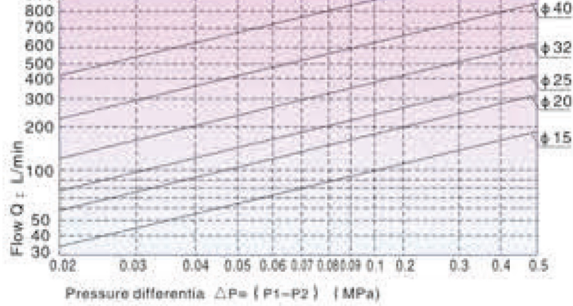


2L320-500 Terminal



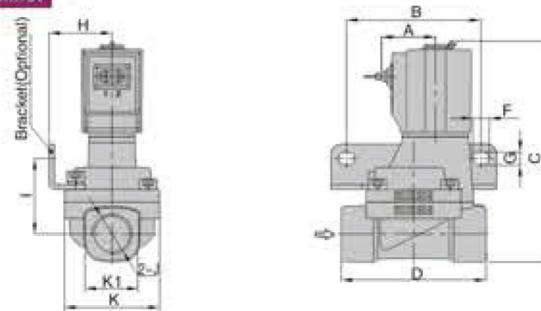
2L

Fluid: Water $\phi 50$

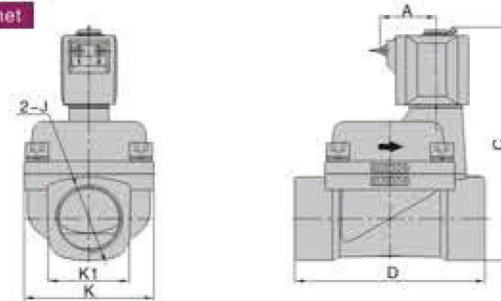


Type/Item	A	B	C	D	E	F	G	H	I	J	K	K1
2L150-15	52.5	65	107	70	77	8	6.4	30.5	36.5	1/2"	46	27.5
2L200-20	52.5	75	115.4	82	78.5	8	6.4	34	40	3/4"	53	33.5
2L250-25	52.5	80	124	92	81	8	6.4	36	44.5	1"	59	40.5
2L320-32	62.7	-	154.3	125	-	-	-	-	-	1 1/4"	80	52
2L400-40	62.7	-	161.8	132	-	-	-	-	-	1 1/2"	90	58
2L500-50	62.7	-	176.8	150	-	-	-	-	-	2"	100	70

2L150-250 Grommet



2L320-500 Grommet



Type \ Item	A	B	C	D	F	G	H	I	J	K	K1
2L150-15	26	65	107	70	8	6.4	30.5	36.5	1/2"	46	27.5
2L200-20	26	75	115.4	82	8	6.4	34	40	3/4"	53	33.5
2L250-25	26	80	124	92	8	6.4	36	44.5	1"	59	40.5
2L320-32	38.8	-	154.3	125	-	-	-	-	1 1/4"	80	52
2L400-40	38.8	-	161.8	132	-	-	-	-	1 1/2"	90	58
2L500-50	38.8	-	176.8	150	-	-	-	-	2"	100	70

