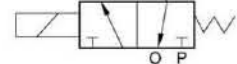


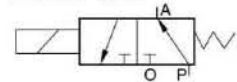
<b>SERIE</b>	<b>SLV-08</b>
<b>FLUIDO</b>	<b>Gas, Aire y Liquido Neutral</b>
<b>ACCIONAMIENTO</b>	<b>Accion Directa</b>
<b>TIPO DE VALVULA</b>	<b>2 vias 2 posiciones</b>
<b>PRESION DE OPERACION</b>	<b>0 a 120 psi ( 0 a 8 bar )</b>
<b>CONEXION</b>	<b>1/4" NPT</b>
<b>Maxima presion de trabajo</b>	<b>150 psi</b>
<b>Temperatura</b>	<b>-5 a 60 °C</b>
<b>ESTADO INICIAL</b>	<b>Normalmente Cerrada</b>
<b>Consumo de Energia</b>	<b>AC22V y DC13 W</b>
<b>Tamaño de Orificio</b>	<b>3 mm</b>
<b>Material de Empaques</b>	<b>NBR</b>
<b>PROTECCION</b>	<b>IP65 ( DIN40050 )</b>
<b>VOLTAJES</b>	<b>12 VDC, 24 VDC, 24 VAC , 110 VAC, 220 VAC</b>
<b>MATERIAL</b>	<b>Cuerpo de Bronce</b>

23JVD 系列微型电磁阀  
23JVD Series Smart Solenoid Valve

23JVD-1.6, 23JVD-L1.6,  
23JVD-Z1.6



23JVD-1.6T

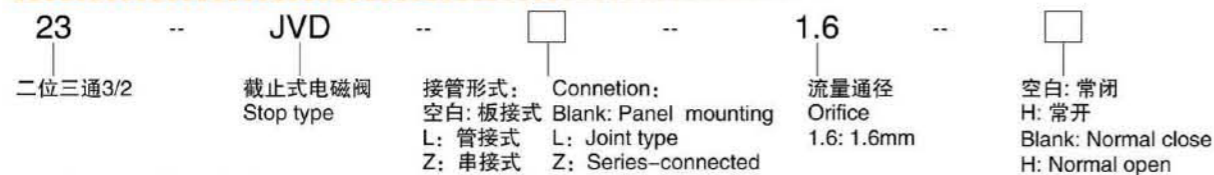


23JVD-1.6L

23JVD-1.6

23JVD-Z1.6T

订货举例 How to Order?

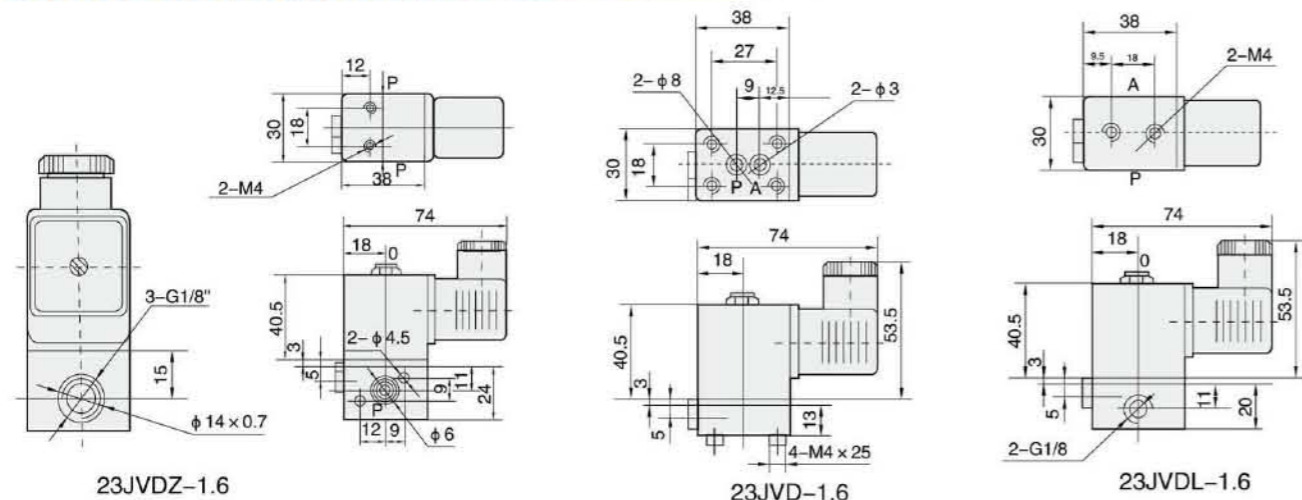


\* 23JVD系列, 板接式连接, 流量口径: 1.6mm, 常闭, 型号: 23JVD-1.6  
\* 23JVD series, panel mounting, orifice: 1.6mm, normal close, Model: 23JVD-1.6

产品特性 Product Features

\* 小型直动截止式电磁阀, 结构紧凑, 可手动换向, 管接, 板接及集装组合三种连接安装方式  
\* It is a mini-type direct action stop solenoid valve with compact structure and manual change. There are three types of pipe connection, board connection and integral combination.

外形尺寸图 Main Dimensions (mm)



规格 Specifications

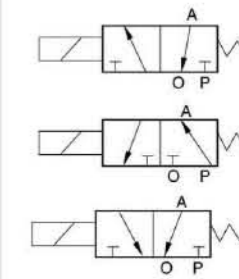
型号 Model	23JVD-1.6L	23JVD-1.6	23JVD-Z1.6T
工作介质 Working medium	空气、水、油 / Air, Water, Oil		
动作型式 Acting type	直动式, 常闭 / Direct acting type, N.C.		
有效截面积 Effective section area(mm <sup>2</sup> )	0.5		
工作压力 Working pressure (Bar)	0-10		
最大耐压力 Guaranteed pressure(Bar)	15		
电压波动范围 Voltage range	-15 ~ 10%		
工作温度 Working temperature (°C)	-5~50		
本体材质 Valve body material	铝 Aluminum		
密封件材质 Seal material	NBR		
换向时间 Directional duration(S)	≤0.03		
寿命 Life cycle	≥2,000,000		

EV系列二位三通电磁阀  
EV Series 3/2 Direct Acting Solenoid Valve



EV1/3/5系列 EV1/3/5 Series

EV2/4系列 EV2/4 Series



订货举例 How to Order?



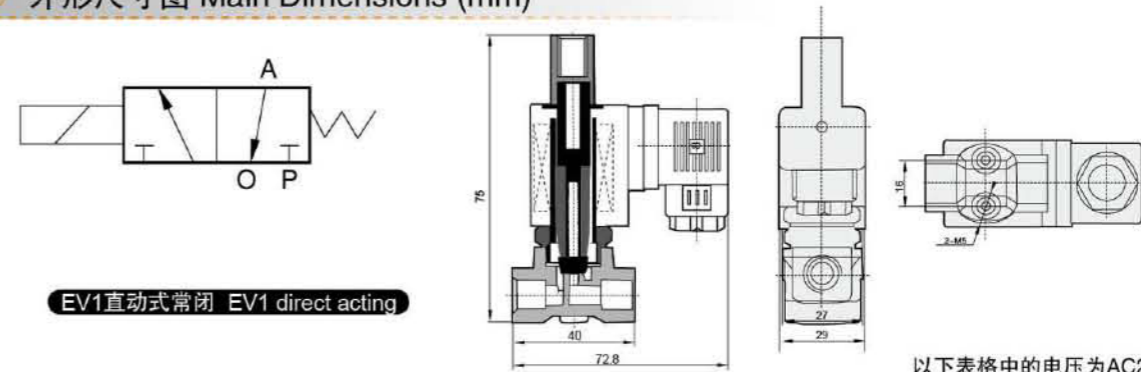
\* EV系列, 二位三通, 换向型, 接管口径1/8", 丁腈橡胶密封件, AC110V, 流量口径: 3.0 x 1.2mm, 铜阀体, DIN标准接线盒塑封线圈, 型号: EV3-06E1-3LD

\* EV series, 3 port, 2 position, reversing, 1/8" port size, NBR seal, AC110V, orifice: 3.0 x 1.2mm, brass valve body, DIN coil, model: EV3-06E1-3LD

产品特性 Product Features

\* 3/2常闭电磁阀, 铜阀体  
\* 有多种控制方式, 紧凑型结构设计, 接线盒式线圈和引出线圈可供选择  
\* 有多种密封件可供选择, 以适合不同的介质  
\* 直动式电磁阀  
\* Normal close, 3/2 way, brass body  
\* Multiple control styles, compact design, DIN style / flying leads coil  
\* Multiple seals are available for different medium  
\* Direct acting solenoid valve

外形尺寸图 Main Dimensions (mm)



EV1直动式常闭 EV1 direct acting

以下表格中的电压为AC220V(Voltage: AC220V)

Joint size 接管口径	流量口径 Orifice (mm)		CV值 CV value		最小压力 Min. pressure	压力差 Pressure Difference ( Bar )						功率 Power		订货型号 Model 220VAC 50/60Hz NBR	
						最大工作压力 Max. working pressure						VA	W		
	阀体 Body	顶部 Top	阀体 Body	顶部 Top		空气 Air, Gas	水 Water, liquid	液体 Liquid	轻油 Light oil ≤ 20CST	AC 220	DC 24V	阀体材质 Valve body material			
1/8"	1.5	1.2	0.07	0.05	0	8	5	8	5	8	5	22	13	EV1-06E2-1.5LD	EV1-06E2-1.5LS2D
	2.0	1.2	0.14	0.05	0	6	5	6	5	6	5	22	13	EV1-06E2-2.0LD	EV1-06E2-2.0LS2D
	2.5	1.2	0.21	0.05	0	5	4	5	4	5	4	22	13	EV1-06E2-2.5LD	EV1-06E2-2.5LS2D
	3.0	1.2	0.23	0.05	0	4	3	4	3	4	3	22	13	EV1-06E2-3.0LD	EV1-06E2-3.0LS2D
1/4"	1.5	1.2	0.07	0.05	0	8	5	8	5	8	5	22	13	EV1-08E2-1.5LD	EV1-08E2-1.5LS2D
	2.0	1.2	0.14	0.05	0	6	5	6	5	6	5	22	13	EV1-08E2-2.0LD	EV1-08E2-2.0LS2D
	2.5	1.2	0.21	0.05	0	5	4	5	4	5	4	22	13	EV1-08E2-2.5LD	EV1-08E2-2.5LS2D
	3.0	1.2	0.23	0.05	0	4	3	4	3	4	3	22	13	EV1-08E2-3.0LD	EV1-08E2-3.0LS2D